



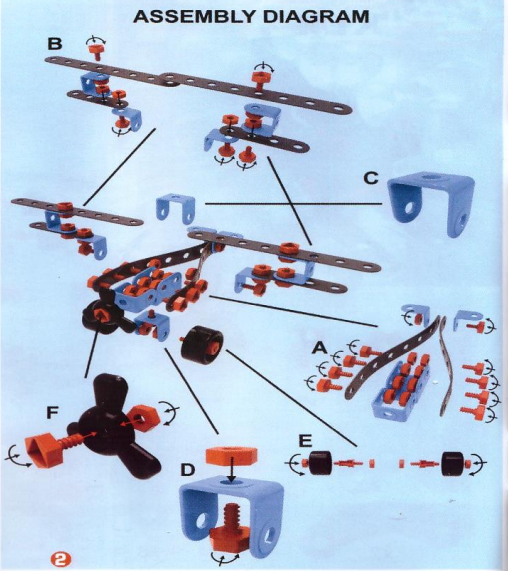
ITEM NO: 661-301 661-302 661-303

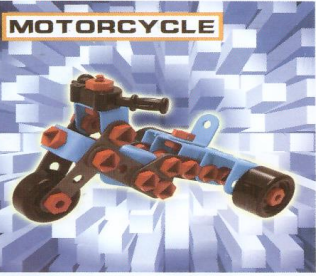









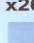




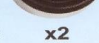


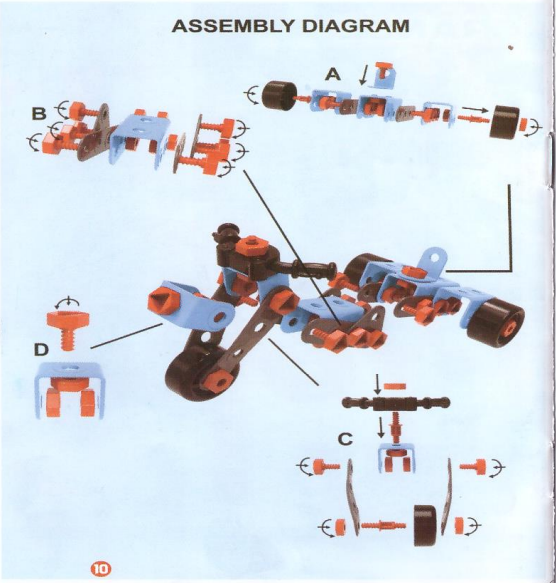
AIRPLANE

- x5 [Blue 1-hole Technic Bracket]
- x1 [Blue 2-hole Technic Bracket]
- x4 [Blue 3-hole Technic Bracket]
- x1 [Black 3-way Connector]
- x2 [Black Technic Wheel]
- x2 [Red Technic Pin]
- x21 [Red Technic Pin]
- x17 [Red Technic Pin]
- x2 [Black 1-hole Technic Beam]
- x4 [Black 4-hole Technic Beam]





-  x2
  x18
  x2
  x2
  x1
-  x26
  x1
-  x3
  x4
  x1
  x2
-  x6
  x2

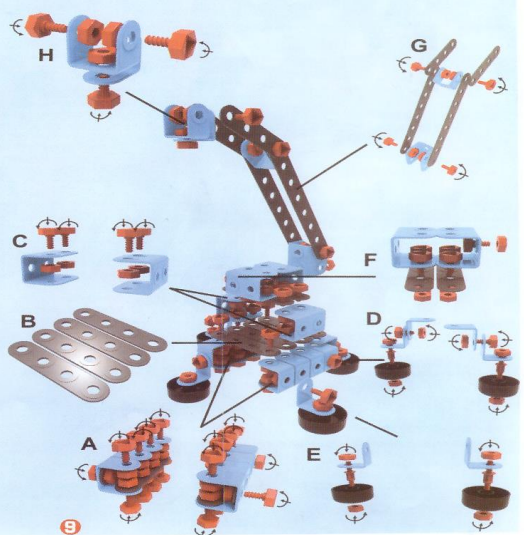


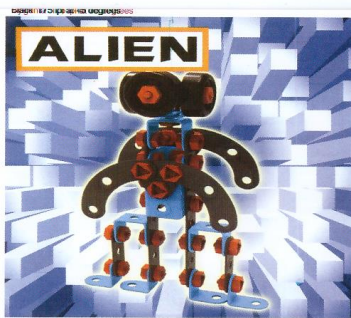
CRANCE



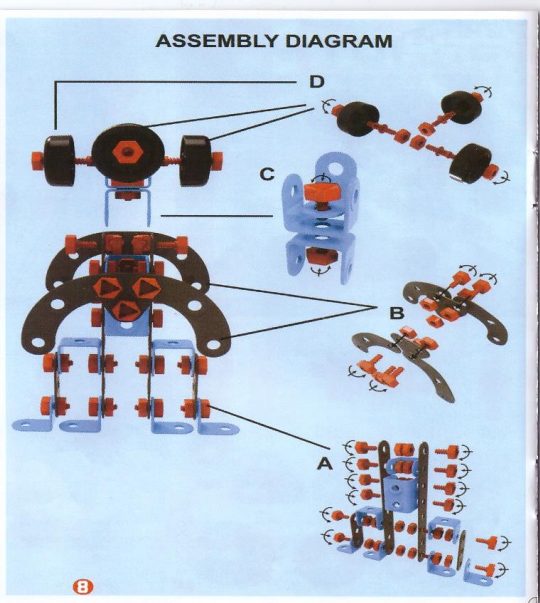
- x4 (Red screw)
- x46 (Hex nut)
- x38 (Red screw)
- x4 (Black wheel)
- x10 (Blue U-shaped bracket)
- x5 (Blue L-shaped bracket)
- x7 (Blue U-shaped bracket)
- x12 (Black long plate)
- x2 (Black short plate)

ASSEMBLY DIAGRAM

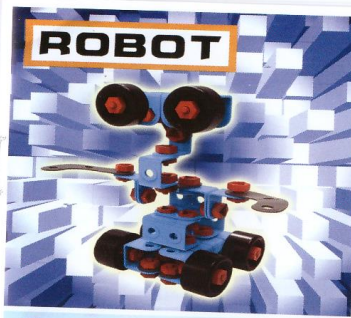




- x3 [Red Pin]
- x29 [Red Hex Nut]
- x23 [Red Pin]
- x2 [Black Triangular Plate]
- x5 [Blue U-shaped Bracket]
- x1 [Blue L-shaped Bracket]
- x5 [Blue U-shaped Bracket]
- x2 [Black Triangular Plate]
- x3 [Black Wheel]
- x4 [Black Curved Plate]
- x2 [Black Long Plate]

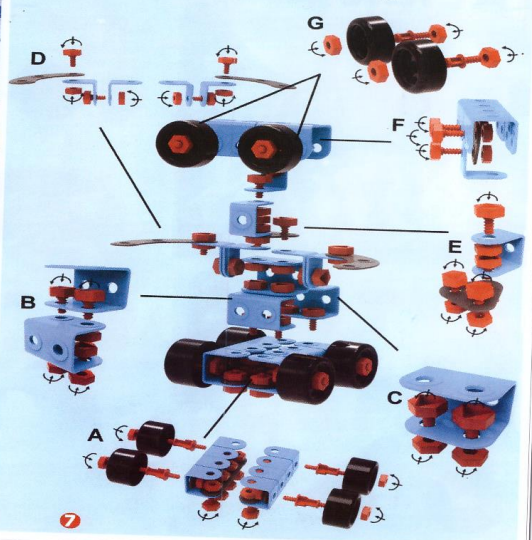


ROBOT



- x4 [Red pin]
- x37 [Blue 1-hole Technic plate]
- x25 [Red pin]
- x2 [Red pin]
- x9 [Blue 2-hole Technic plate]
- x5 [Blue 3-hole Technic plate]
- x5 [Blue 2-hole Technic plate]
- x2 [Blue 3-hole Technic plate]
- x4 [Blue 4-hole Technic plate]
- x2 [Blue curved Technic plate]
- x2 [Black wheel]
- x4 [Black wheel]

ASSEMBLY DIAGRAM



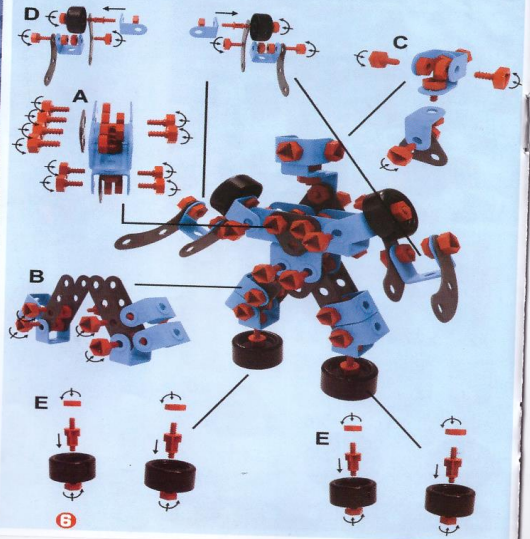
Step 175 of 166 steps

MACHINE WARRIOR

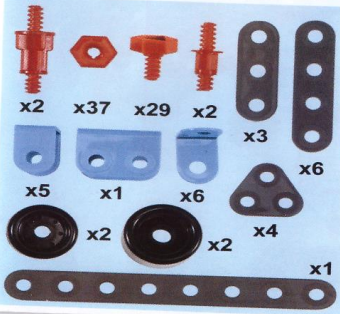
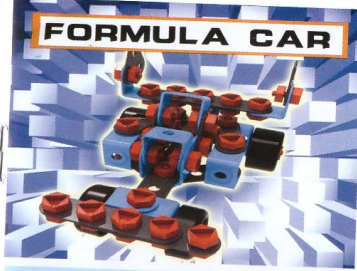


- x2 [Red Pin]
- x37 [Red Hex Nut]
- x29 [Red T-shaped Pin]
- x2 [Red Pin]
- x2 [Black Wheel]
- x9 [Blue U-shaped Bracket]
- x3 [Blue L-shaped Bracket]
- x4 [Blue U-shaped Bracket]
- x3 [Brown Triangular Plate]
- x4 [Brown Curved Plate]
- x2 [Black Wheel]
- x4 [Brown Stripped Plate]

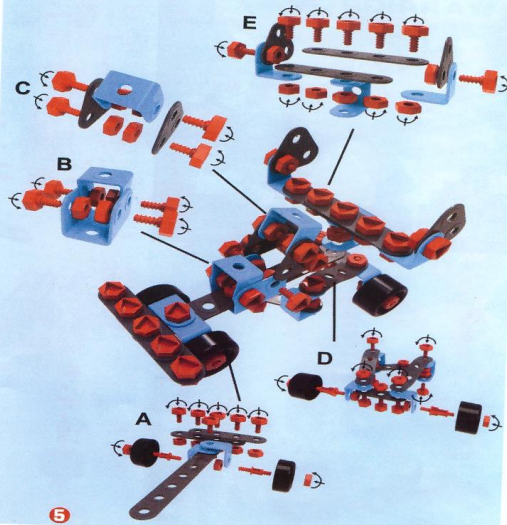
ASSEMBLY DIAGRAM



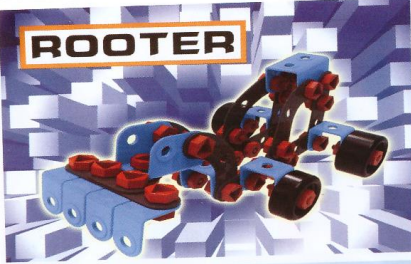
FORMULA CAR



ASSEMBLY DIAGRAM

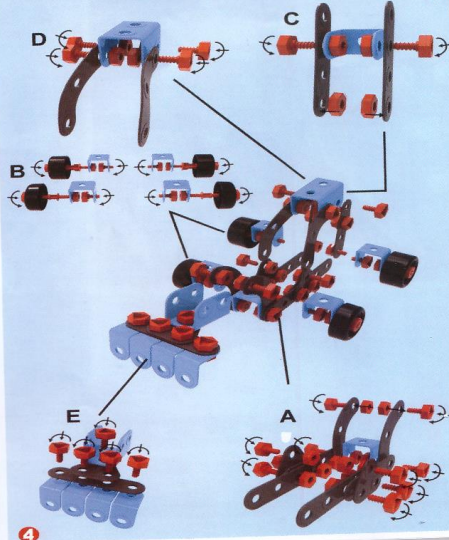


ROOTER

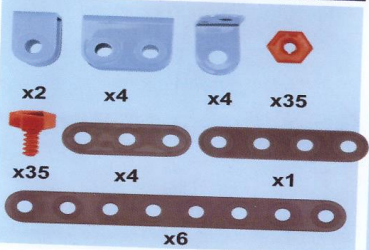
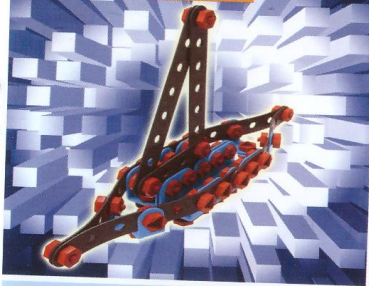


- x6 [Blue 1-hole Technic Pin]
- x2 [Blue 2-hole Technic Pin]
- x4 [Blue 3-hole Technic Pin]
- x2 [Black 1-hole Technic Pin]
- x2 [Red 1-hole Technic Pin]
- x34 [Red 1-hole Technic Pin]
- x26 [Red 1-hole Technic Pin]
- x2 [Red 1-hole Technic Pin]
- x3 [Red 3-hole Technic Pin]
- x7 [Black 1-hole Technic Pin]
- x4 [Black 1-hole Technic Pin]
- x2 [Black 1-hole Technic Pin]

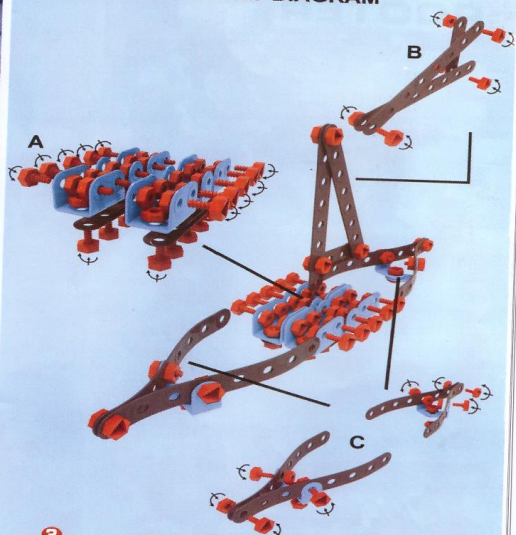
ASSEMBLY DIAGRAM



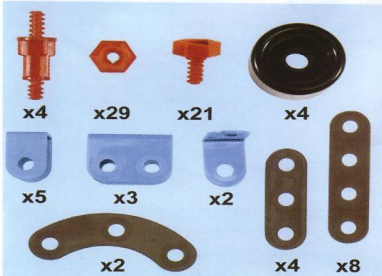
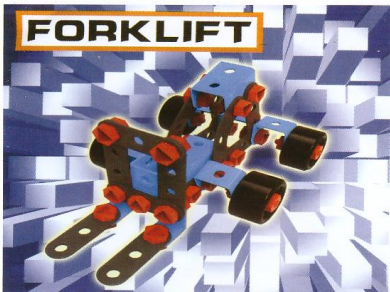
SAILBOAT



ASSEMBLY DIAGRAM



FORKLIFT



ASSEMBLY DIAGRAM

